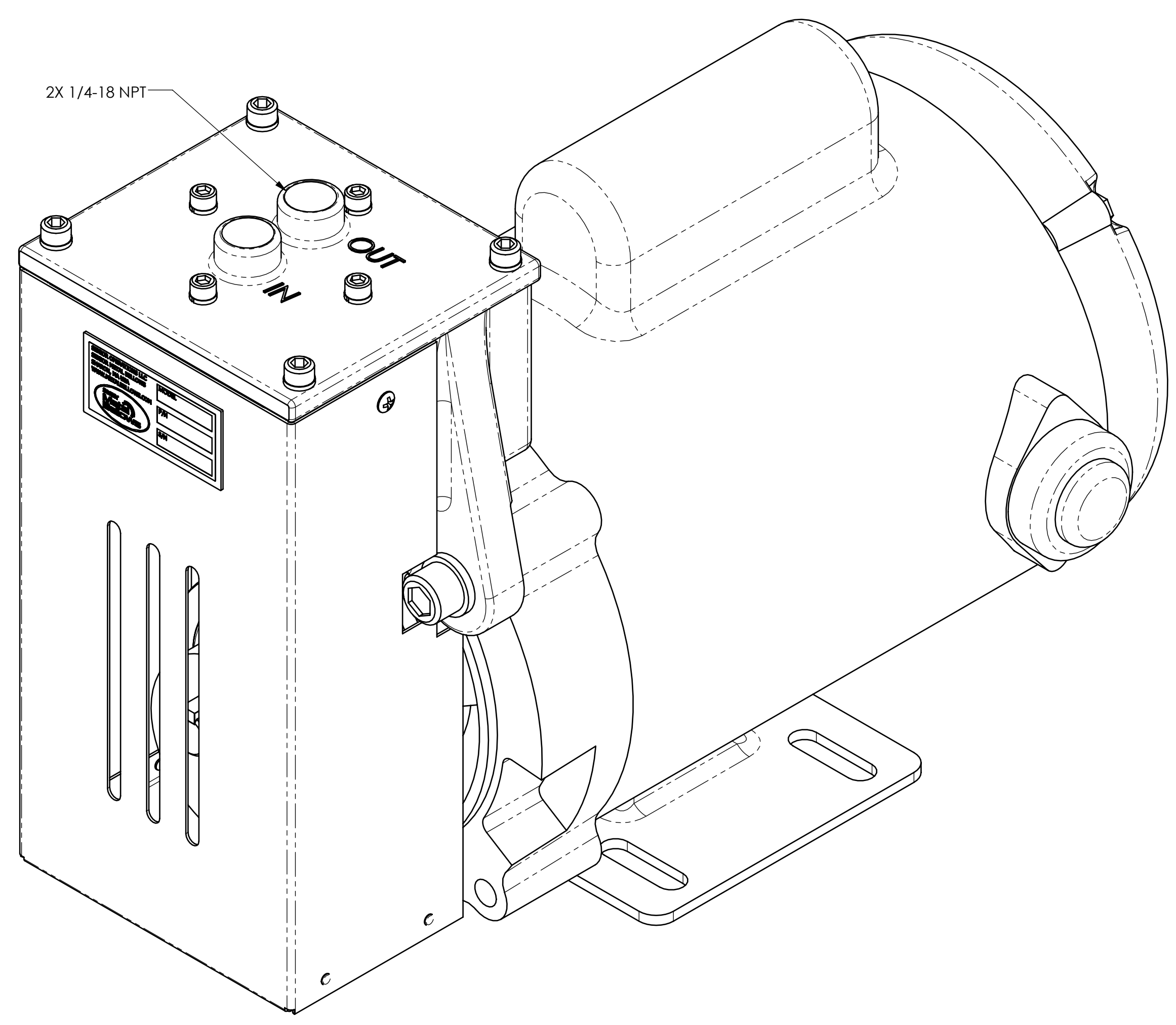
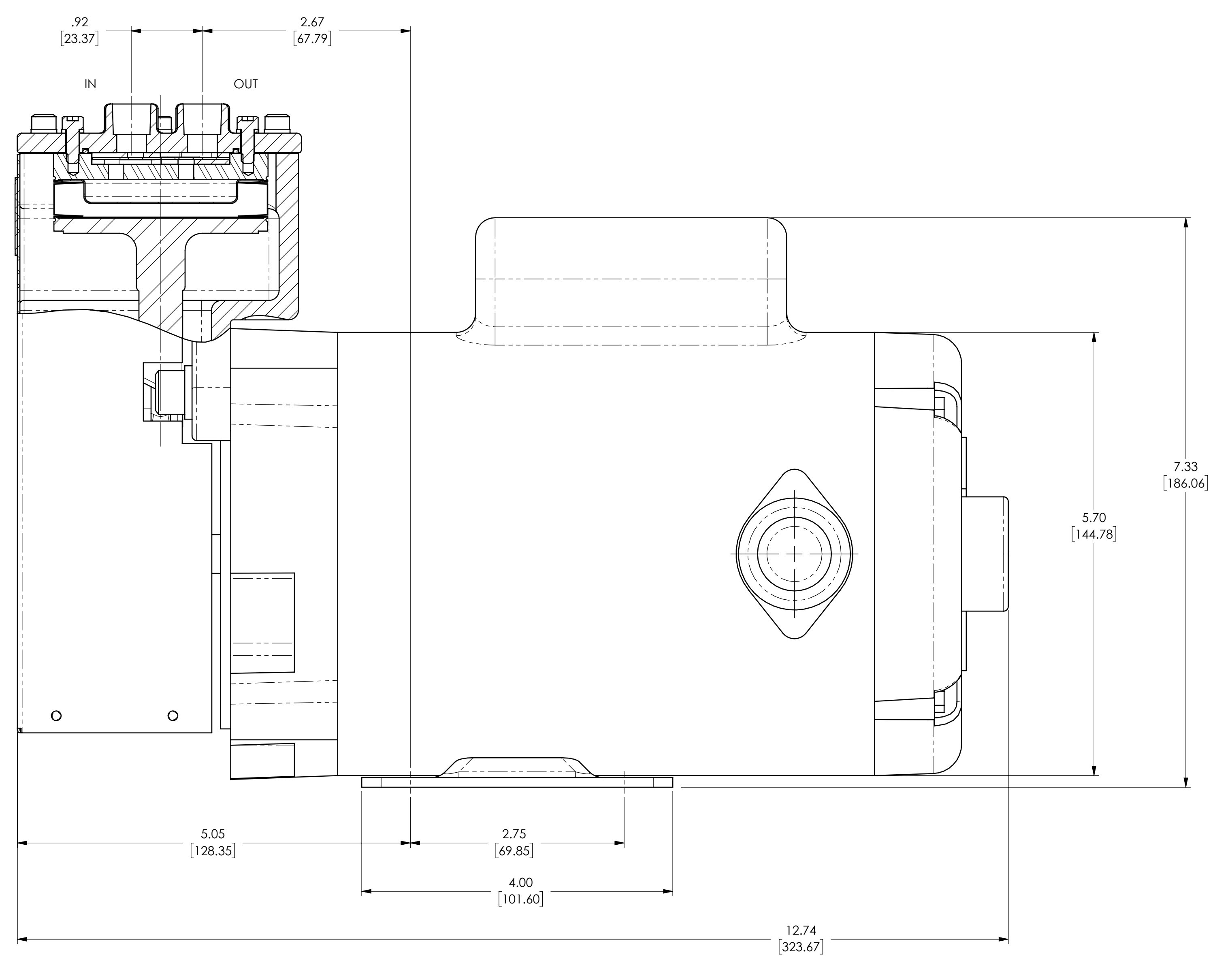
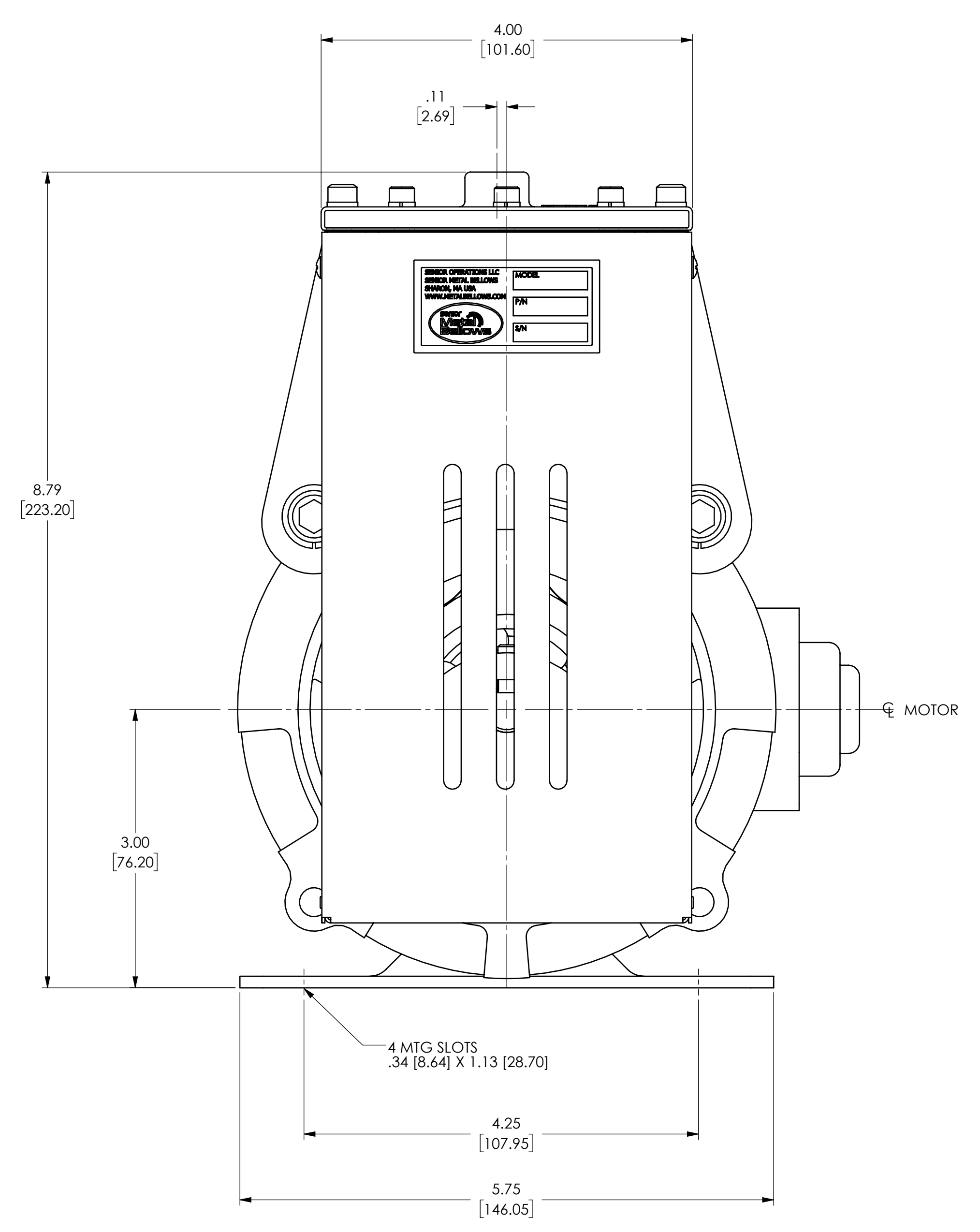


THIS DOCUMENT CONTAINS PROPRIETARY OR CONFIDENTIAL INFORMATION OF SENIOR OPERATIONS LLC AND MAY NOT BE REPRODUCED, DISCLOSED, OR USED TO BENEFIT ANY PARTY OTHER THAN SENIOR OPERATIONS, LLC



THESE ITEMS ARE CONTROLLED BY THE U.S. GOVERNMENT AND AUTHORIZED FOR EXPORT ONLY TO THE COUNTRY OF ULTIMATE DESTINATION FOR USE BY THE ULTIMATE CONSIGNEE OR END-USERS HEREIN IDENTIFIED. THEY MAY NOT BE REPRODUCED, TRANSFERRED, OR OTHERWISE COPIED, OF TO ANY OTHER COUNTRY OR TO ANY PERSON OTHER THAN THE AUTHORIZED ULTIMATE CONSIGNEE OR END-USERS, EITHER IN THEIR ORIGINAL FORM OR AFTER BEING INCORPORATED INTO OTHER ITEMS, WITHOUT FIRST OBTAINING APPROVAL FROM THE U.S. GOVERNMENT OR AS OTHERWISE AUTHORIZED BY U.S. LAW AND REGULATIONS.

INFORMATION IN THIS DRAWING IS PROVIDED FOR REFERENCE ONLY

		METAL BELLOWS 1075 PROVIDENCE HIGHWAY SHARON, MA 02067
TITLE PUMP ASSY, MB-111/151 SALES DRAWING		
SIZE E	CAGE CODE 07649	MODEL NO. MB-111/151
SCALE 1:1		REF PART NO. 26293
SHEET 1 OF 1		