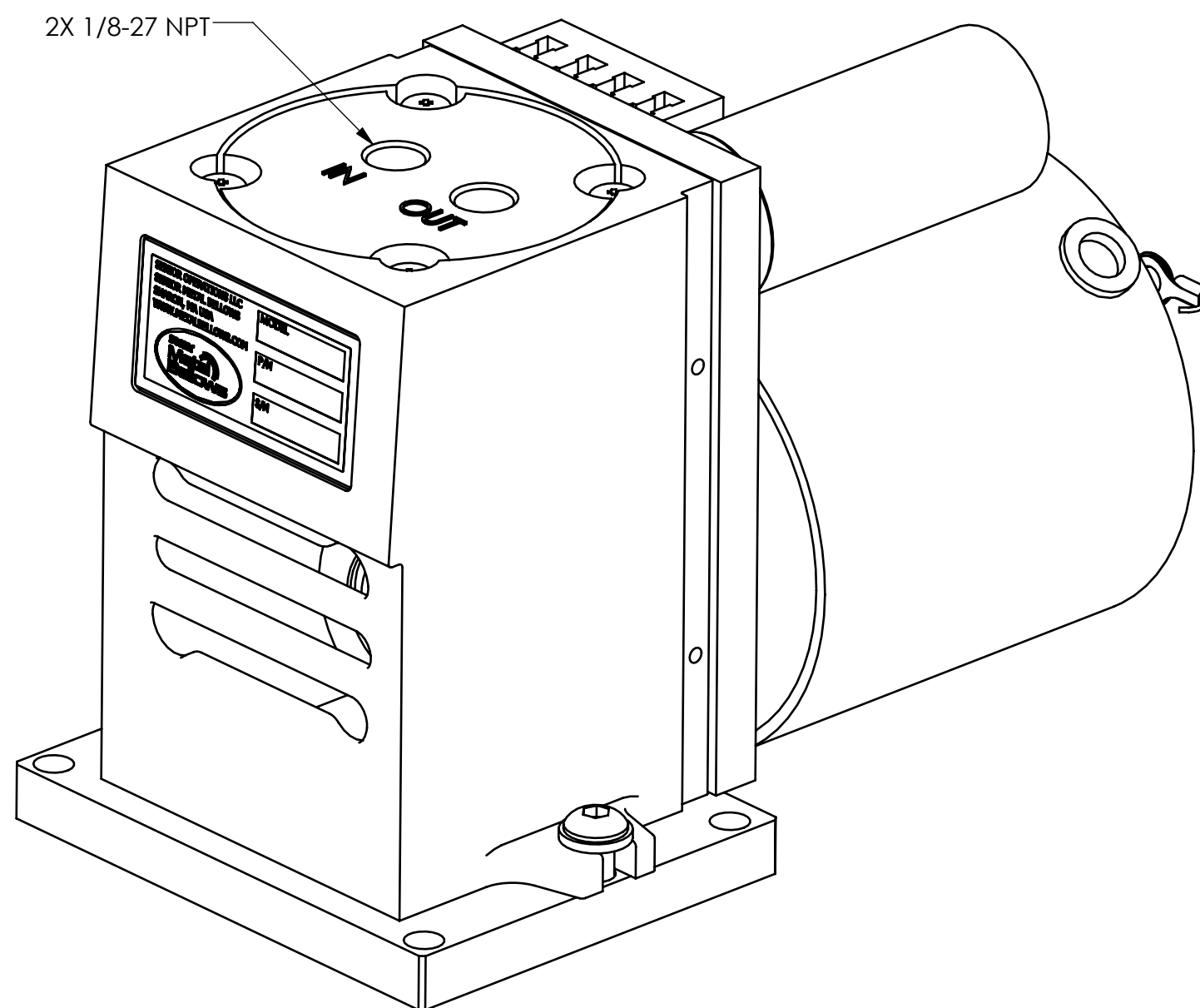
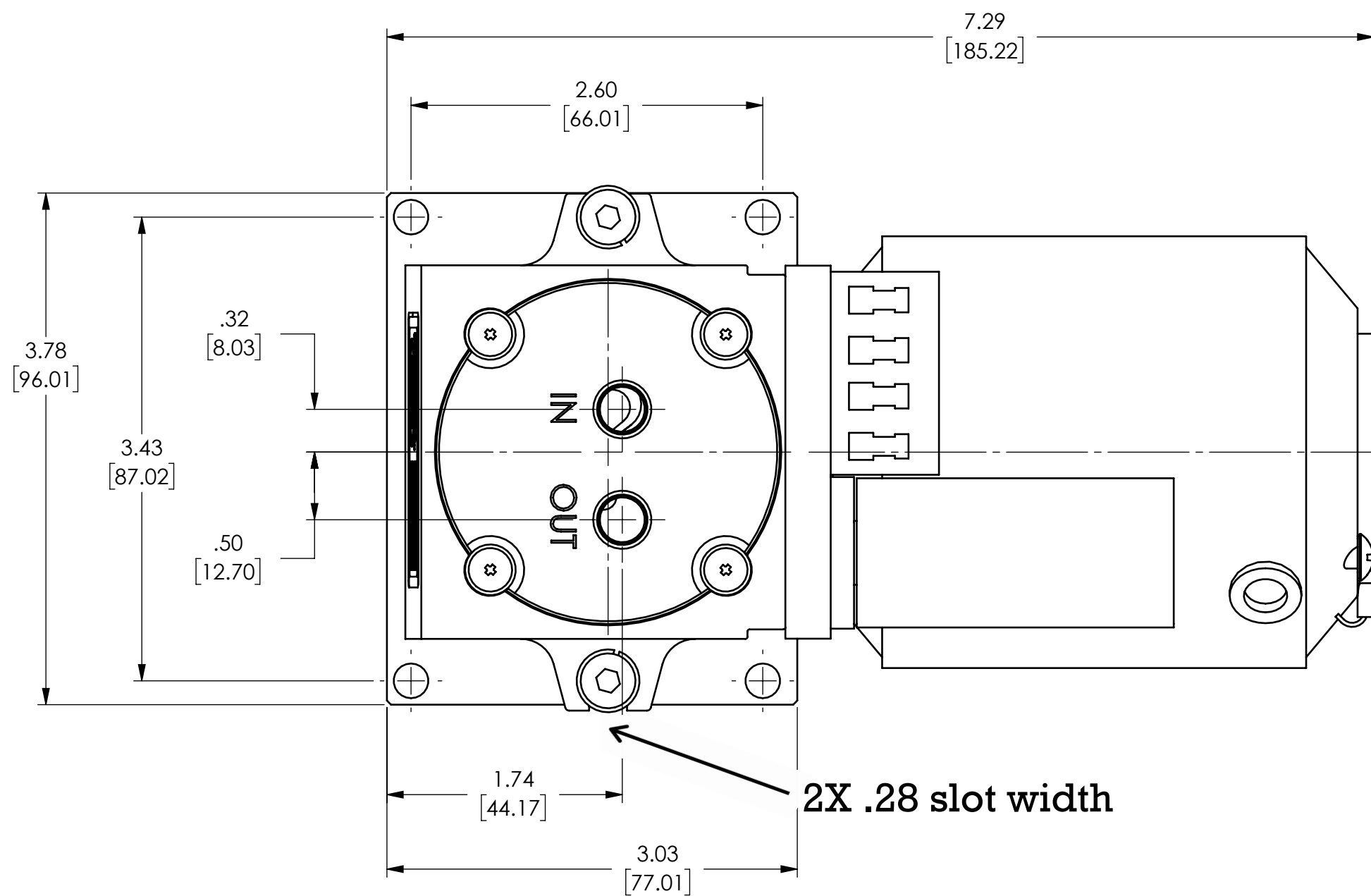
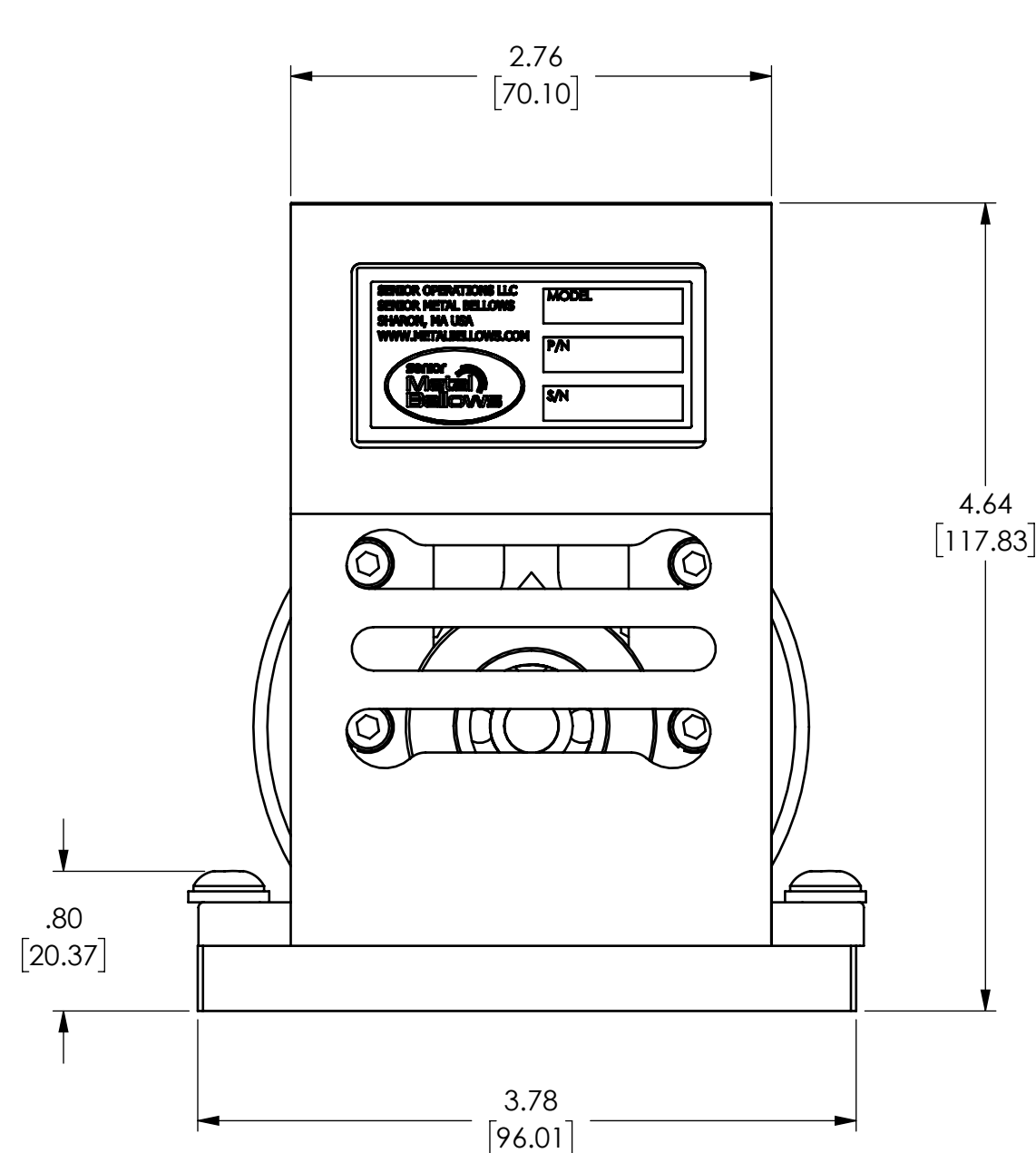


THIS DOCUMENT CONTAINS PROPRIETARY OR CONFIDENTIAL INFORMATION OF SENIOR OPERATIONS LLC AND MAY NOT BE REPRODUCED, DISCLOSED, OR USED TO BENEFIT ANY PARTY OTHER THAN SENIOR OPERATIONS LLC



INFORMATION IN THIS DRAWING IS PROVIDED FOR REFERENCE ONLY

THESE ITEMS ARE CONTROLLED BY THE U.S. GOVERNMENT AND AUTHORIZED FOR EXPORT ONLY TO THE COUNTRY OF ULTIMATE DESTINATION FOR USE BY THE ULTIMATE CONSIGNEE OR END-USER(S) HEREIN IDENTIFIED. THEY MAY NOT BE RESOLD, TRANSFERRED, OR OTHERWISE DISPOSED OF, TO ANY OTHER COUNTRY OR TO ANY PERSON OTHER THAN THE AUTHORIZED ULTIMATE CONSIGNEE OR END-USER(S), EITHER IN THEIR ORIGINAL FORM OR AFTER BEING INCORPORATED INTO OTHER ITEMS, WITHOUT FIRST OBTAINING APPROVAL FROM THE U.S. GOVERNMENT OR AS OTHERWISE AUTHORIZED BY U.S. LAW AND REGULATIONS.

		METAL BELLOWS 1075 PROVIDENCE HIGHWAY SHARON, MA 02067	
TITLE PUMP ASSY, MB-21E/41E SALES DRAWING			
SIZE C	CAGE CODE 07649	MODEL NO. MB-21E/41E	
SCALE 1:1	REF PART NO. 48725	SHEET 1 OF 1	